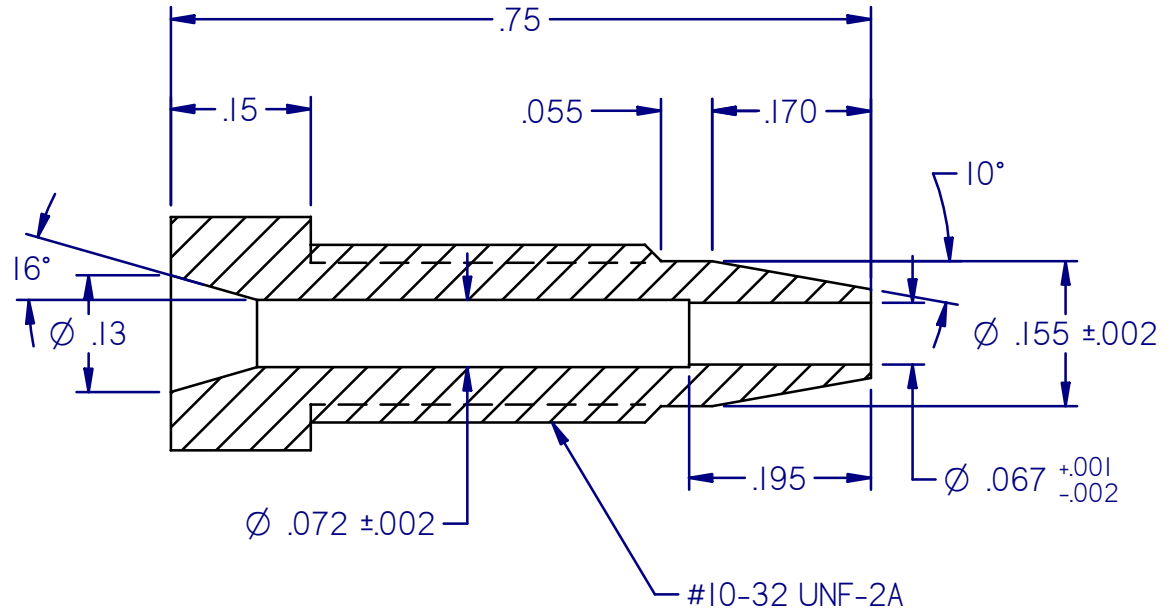
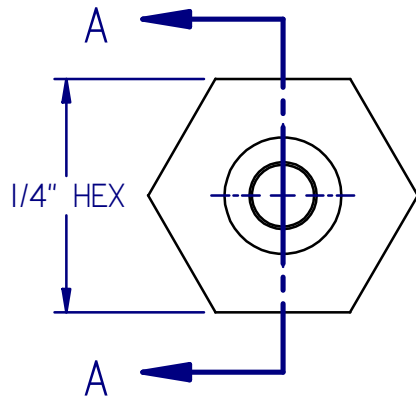


Revisions			
Rev	Description	Date	Initials
C	Next revision, updated from old database	10/1/2010	TPA
D	Updated drawing to match actual mold features and dimension	3/26/2014	TKV



SECTION A-A

NOTES:

1. REMOVE ALL BURRS / FLASHING.
2. SURFACE FINISH AS MOLDED.
3. ALL RADII TO BE .031" MAX, UNLESS NOTED.
4. ALL DRAFT ANGLES TO BE 1° MAX, UNLESS NOTED.

<p>CONFIDENTIAL:</p> <p>This drawing is the property of Alltech Associates, Inc. Any reproductions or modifications of this drawing or its contents without consent of Alltech is prohibited.</p>		<p>GRACE Davison</p> <p>GRACE Davison Discovery Sciences 2051 Waukegan Road, Deerfield, IL 60015 (847) 948-8600</p>	
<p>DESCRIPTION: Long Hex-Head One Piece</p>			
<p>MATERIAL: PEEK</p>		<p>P/N: 2110666</p>	
<p>GENERAL TOLERANCES DECIMAL: XX ±.010"; XXX ±.005" FRACTIONAL: ± 1/64" ANGULAR: ±1/2° UNLESS OTHERWISE SPECIFIED</p>		<p>DRAWN: TKV</p>	<p>APPROVED: SPS</p>
<p>63/ ✓</p>		<p>SCALE: 5 = 1 SIZE A</p>	<p>DATE: 03/26/14</p>
		<p>DRAWING NO: 0000994</p>	<p>REV: D SHEET: 1 OF 1</p>